

PRECISION THREADED PLUGS

HEX SOCKET SERIES

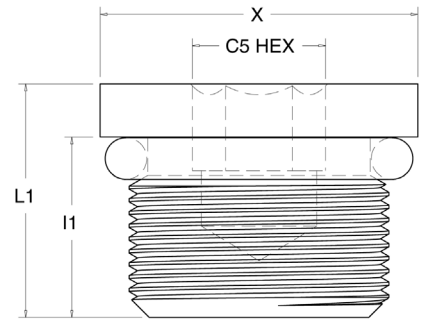
Straight thread O-ring plugs.
Zinc chromate plated carbon steel. Buna or Viton O-ring seals. Manufactured to SAE J514 specifications. Sizes SAE 2 to SAE 24.



HOLLOW HEX THREADED PLUGS

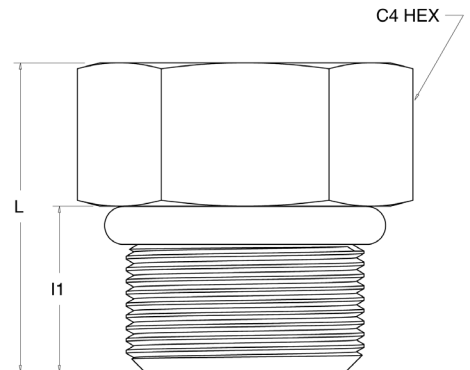
SAE Dash Size	Part Number*	T5 Port Thread UN/UNF-2A	C5 HEX (inch)	I1 (inch)	L1 (inch) (ref)	X DIA (inch)
-2	FSAE100 □ -2	5/16-24	1/8	0.30	0.40	0.44
-3	FSAE100 □ -3	3/8-24	1/8	0.30	0.40	0.50
-4	FSAE100 □ -4	7/16-20	3/16	0.36	0.47	0.56
-5	FSAE100 □ -5	1/2-20	3/16	0.36	0.47	0.63
-6	FSAE100 □ -6	9/16-18	1/4	0.39	0.50	0.69
-8	FSAE100 □ -8	3/4-16	5/16	0.44	0.58	0.88
-10	FSAE100 □ -10	7/8-14	3/8	0.50	0.65	1.00
-12	FSAE100 □ -12	1-1/16-12	9/16	0.59	0.77	1.25
-14	FSAE100 □ -14	1-3/16-12	9/16	0.59	0.77	1.38
-16	FSAE100 □ -16	1-5/16-12	5/8	0.59	0.77	1.50
-20	FSAE100 □ -20	1-5/8-12	3/4	0.59	0.77	1.88
-24	FSAE100 □ -24	1-7/8-12	3/4	0.59	0.77	2.13

* Create a complete part number by entering the O-Ring seal material code in the box:
B = BUNA O-RING SEAL
V = VITON O-RING SEAL



HEX HEAD THREADED PLUGS

SAE Dash Size	Part Number*	T5 Port Thread UN/UNF-2A	C4 HEX (inch)	I1 (inch)	L (inch)
-2	FSAE200 □ -2	5/16-24	7/16	0.30	0.60
-3	FSAE200 □ -3	3/8-24	1/2	0.30	0.60
-4	FSAE200 □ -4	7/16-20	9/16	0.36	0.67
-5	FSAE200 □ -5	1/2-20	5/8	0.36	0.67
-6	FSAE200 □ -6	9/16-18	11/16	0.39	0.73
-8	FSAE200 □ -8	3/4-16	7/8	0.44	0.80
-10	FSAE200 □ -10	7/8-14	1	0.50	0.93
-12	FSAE200 □ -12	1-1/16-12	1-1/4	0.59	1.09
-14	FSAE200 □ -14	1-3/16-12	1-3/8	0.59	1.09
-16	FSAE200 □ -16	1-5/16-12	1-1/2	0.59	1.12
-20	FSAE200 □ -20	1-5/8-12	1-7/8	0.59	1.20
-24	FSAE200 □ -24	1-7/8-12	2-1/8	0.59	1.27



ISO 9001:2000 Certified

Precision Products *Sealing and Flow Control Solutions.*



7 Orchard Park Road, Madison, CT 06443 USA
Tel: +1 (203) 245-1100 Fax: +1 (203) 245-3072
sales@farmingtoneng.com

www.farmingtoneng.com